

# FILM BASED PORTABLE X-RAY SYSTEMS

**sri**  
source-ray, inc.

## **Model: SR-115**

- High Power Output (1.5 kW)
- 100 kV, 15 mA, 60 mAs
- High Frequency
- Microprocessor Control
- Light Weight /Very Agile
- Cost Effective
- Designed for Reliability
- Durable Powder Coat Finish
- Limited 3 year Warranty



## **Model: SR-130**

- Higher Power Output (3.0 kW)
- 100 kV, 30 mA, 120 mAs
- High Frequency
- Microprocessor Control
- CR/DR Compatible
- Light Weight
- Designed for Reliability
- Durable Powder Coat Finish
- Limited 3 year warranty



# FILM BASED PORTABLE X-RAY SYSTEMS

**The SR-115** was designed to focus on a price sensitive market that addresses cost containment goals for radiology capital equipment purchases in the portable x-ray market place. Developed for clinicians who are satisfied using lower powered x-ray units and who will continue using traditional film screen systems. The SR-115 is a user friendly system designed for high reliability, and the durability required for the Diagnostic Outreach Market. Providing state of the art technology, the SR-115 produces 1.5 kW of power. It's 80 lb. net weight makes it the lightest portable x-ray

system on the market today. The SR-115 weighs significantly less than other systems that produce less output. It provides clinicians invaluable maneuverability and agility around beds and other essential equipment in tight areas where space is at a premium, especially in private homes. Utilizing a small foot print, the SR-115 is an ideal system to transport in small vehicles that are economically viable for Diagnostic Outreach Services. The SR-115 can be used in clinics, nursing homes, private homes, orthopedic practices, sports medicine and correctional facilities.



(Complies with CFR 21 Subchapter J)

**The SR-130** provides higher power, state of the art technology, system reliability and low maintenance, all in a small footprint, lightweight package.

The SR-130 was designed with agility in mind. It's compact, lightweight construction makes it easy for the operator to move the system effortlessly. Delivering maximum mR/mAs, the SR-130 produces 3 kW of power that provides hospital quality imaging, performed anywhere, anytime a Portable X-Ray System is transported to a patient. With it's 3 kW output power, the SR-130 is an ideal system for organizations

considering the purchase of a CR-System. CR-Systems currently operate at 200 speed. The SR-130 provides the power required to compensate for this slower operating speed without compromising image quality. The SR-130 is a user friendly system designed for high reliability and the durability required for the Diagnostic Outreach market. The SR-130 can be used in hospitals, clinics, nursing homes, private homes, orthopedic practices, sports medicine, correctional facilities and military field deployable applications.

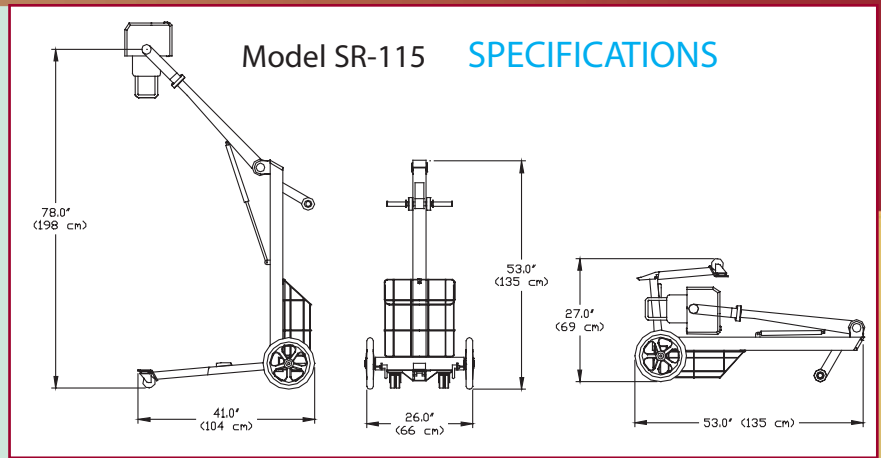


(Complies with CFR 21 Subchapter J)



**Generator**  
**Input Voltage** 115/230VAC, 50/60Hz  
**kVp Range** 40 – 100 kVp, adjustable in 1 kV increments - closed loop regulation  
**mA Range** Fixed, 15 mA - closed loop regulation  
**mAs Range** 0.15 - 60  
**Indicators** Digital display of kVp and mAs.  
 X-Ray, Ready and Fault indicators.  
**Exposure Switch** Detachable two-position

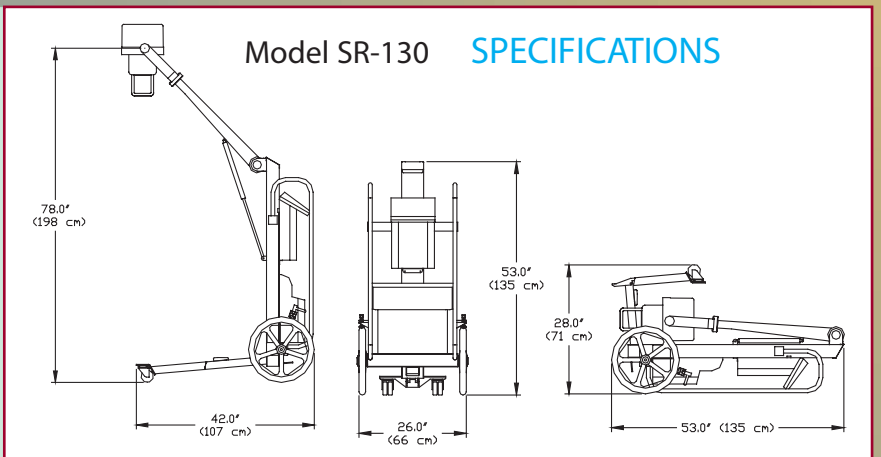
**X-Ray Tube** Stationary Anode 100 kVp  
**Filtration** 2.7 mm Al minimum  
**Target Material** Tungsten  
**Anode Capacity** 20,000 HU Storage  
**Focal Spot** 1.0 mm  
**Target Angle** 15°  
**Collimator** Advantech R72/32-ET  
**Tape Measure** SID Measurement  
**Inclinometer** Angle Measurement



**Travel Stand**  
 Min. F/S to Floor 13" / 33 cm  
 Max. F/S to Floor 78" / 198 cm  
 Hor. Ext. of F/S 21" / 53 cm  
 Hor. Rotation 200°  
 Tube Rotation 270°  
**System Weight** 80 lbs. / 36 kg

**Generator**  
**Input Voltage** 115/230VAC, 50/60Hz  
**kVp Range** 40 – 100 kVp, adjustable in 1 kV increments - closed loop regulation  
**mA Range** Fixed, 15 mA and 30 mA - closed loop regulation  
**mAs Range** 0.15 - 120  
**Exposure Time** 0.01 – 4.00 seconds  
**Indicators** Digital display of kVp, mAs and Time. X-Ray, Ready, mA Station and Fault indicators.  
**Exposure Switch** Detachable two-position

**X-Ray Tube** Stationary Anode 110 kVp  
**Filtration** 2.7 mm Al minimum  
**Target Material** Tungsten  
**Anode Capacity** 30,000 HU Storage  
**Focal Spot** 1.0 mm  
**Target Angle** 15°  
**Collimator** Advantech R72/32-ET  
**Tape Measure** SID Measurement  
**Inclinometer** Angle Measurement



**Travel Stand**  
 Min. F/S to Floor 13" / 33 cm  
 Max. F/S to Floor 78" / 198 cm  
 Hor. Ext. of F/S 21" / 53 cm  
 Hor. Rotation 200°  
 Tube Rotation 270°  
**System Weight** 100 lbs. / 45 kg



**All Star X-ray, Inc.**  
 YOUR IMAGE IS OUR BUSINESS

**(866) 381-4079**  
 3029 East Randol Mill Road  
 Arlington, TX 76011  
[www.allstarxray.com](http://www.allstarxray.com)