

HIGH FREQUENCY PODIATRY X-RAY SYSTEM

sri
source-ray, inc.

Model: PXS-810

- CR / DR Compatible
- High Power Output (0.8kW)
- 80 kVp, 10 mA, 30 mAs
- High Frequency Generator
- Microprocessor Control
- Counterbalanced Locking Arm
- Cost Effective
- Designed for Reliability
- Durable Powder Coat Finish
- Optional Remote Control
- Limited 3 year Warranty



The Model PXS-810 was designed to provide Superior imaging performance and convenient patient positioning for the Podiatry professional, as well as Foot & Ankle Surgical Radiology applications.

The PXS-810 incorporates a High Frequency Generator to provide maximum mR/mAs, and has a microprocessor output of 80kV at 10mA. With its 0.5 mm focal spot x-ray tube, and high output generator, the model PXS-810 provides Excellent Image Resolution and Faster Exposure Times for Podiatry Radiography.

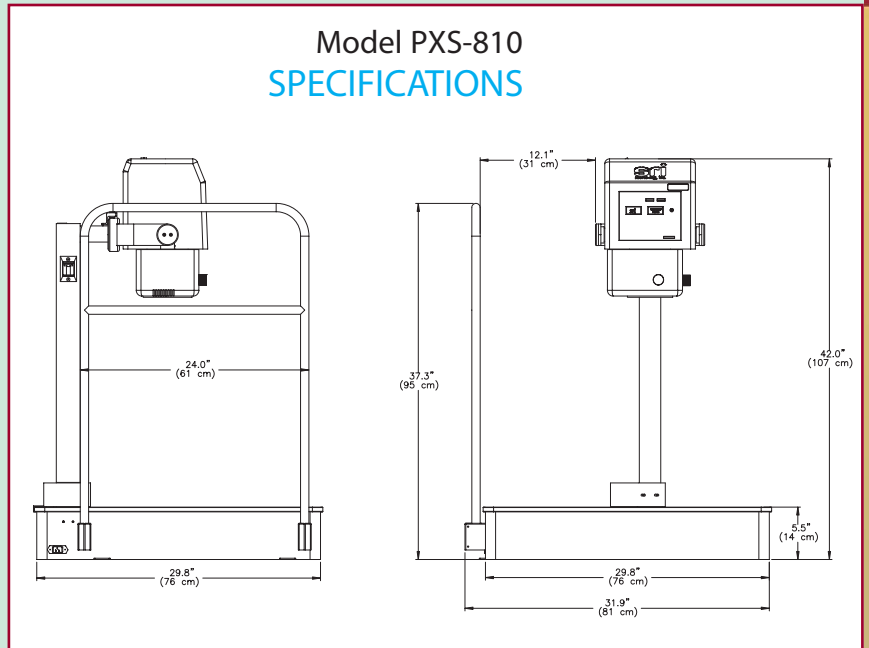
The Model PXS-810 has the power to compensate for the slower operating speed of CR Systems without compromising image quality.

The PXS-810 Radiographic Base has vertical slot to accommodate 10 x 12 film cassettes, and provides Patient Safety Railings that ensure safe positioning for physically unstable patients.



Generator	High frequency resonant inverter – 0.8 kW
Input Voltage	115/230VAC, 50/60Hz
kVp Range	40 – 80 kVp, adjustable in 1 kV increments - closed loop regulation
mA Range	Fixed, 10 mA - closed loop regulation
mAs Range	0.10 - 30
Indicators	Digital display of kVp and mAs. X-Ray, Ready and Fault indicators.
Exposure Switch	Detachable two-position
X-Ray Tube	Stationary Anode 90 kVp
Filtration	2.9 mm aluminium
Target Material	Tungsten
Anode Capacity	20,000 HU Storage
Focal Spot	0.5 mm
Target Angle	15°
Collimator	Advantech R72/32-ET
Remote Control	Optional
Radiographic Base	
Size	30"x 30"x 41.3"
Source to Image Distance	28" / 71 cm
Balanced Locking Arm	
Arm. Rotation	90°
Tube Rotation	180°
System Weight	80 lbs. / 36 kg

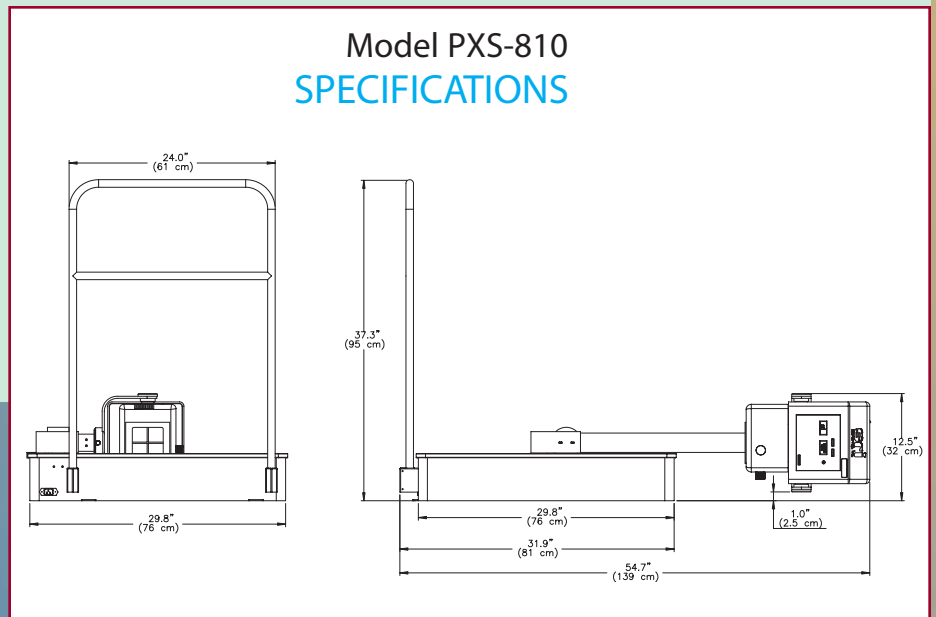
Model PXS-810 SPECIFICATIONS



Optional Wall Mount Control



Model PXS-810 SPECIFICATIONS



(Complies with CFR 21 Subchapter J)

Specifications are subject to change without notice.
Names of companies and/or products appearing in this document are trademarks and /or registered trademarks for their respective companies.



All Star X-ray, Inc.
YOUR IMAGE IS OUR BUSINESS

(866) 381-4079
3029 East Randol Mill Road
Arlington, TX 76011
www.allstarxray.com